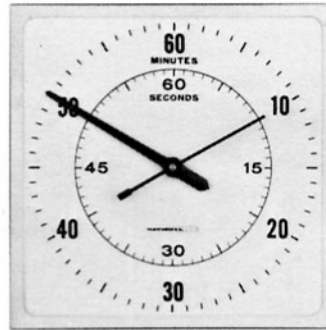




60 Minute
037ET-12 Flush Mount
117ET-12 Surface Mount



97ET
Control Panel



Square Dial
Add Suffix -SQ



3 Hour
036ET-12 Flush Mount
116ET-12 Surface Mount

NATIONAL TIME elapsed time indicators are manufactured in two types, 60 minute time cycle and 3 hour time cycle. These indicators are commonly installed in hospital operating and delivery rooms.

The 12 inch dial is satin aluminum and the indicators are furnished for flush or surface mounting applications. Standard case finish is powder gray. Consult factory for other finish availability.

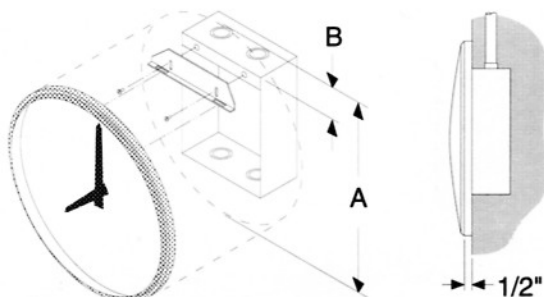
The elapsed time indicator operates on 120 volt, 60 cycle current and is controlled by a remote control panel. The 3 position switch starts, stops, and instantly resets the hands to the starting position.

The **97ET Control Panel** installs over a single gang switch box opening and must be located at least 5 feet from the floor in hazardous locations.

FEATURES

- Flush or Surface Mounting
- 60 Minute or 3 Hour Cycles
- Highly Accurate 120V/60Hz Time Keeping
- Remote Control Panel
- Instant Reset
- Satin Aluminum Finish
- U.L. Listed

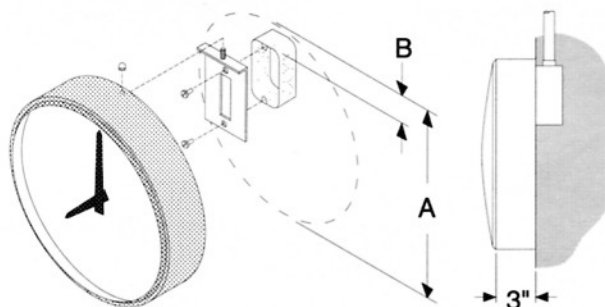
Mounting Options



Flush Mount

STYLE	A	B
Round	13"	3-1/4"
Square	12-1/2"	2-3/4"

143 Wall Box (7"H X 6-1/2"W X 3-1/4"D)
Wall Box and Hanger Supplied by Manufacturer
Shatterproof crystals and wire guards available

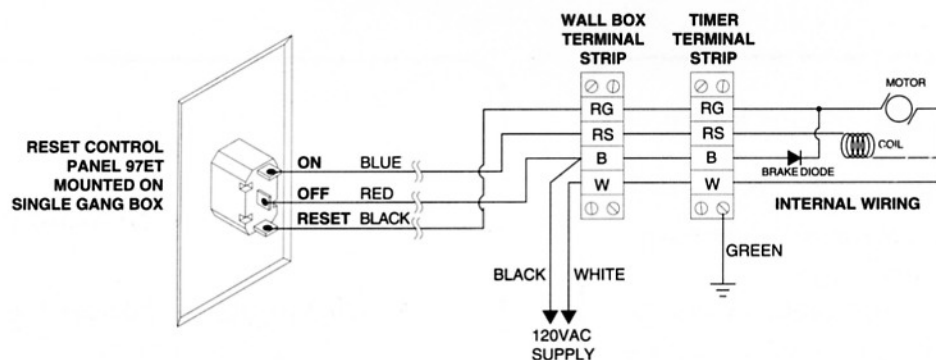


Surface Mount

STYLE	A	B
Round	13-7/16"	1"
Square	12-1/2"	1"

Single Gang Outlet Box (supplied by others)
Fastener and Hanger Supplied by Manufacturer
Shatterproof crystals and wire guards available

Wiring Diagram



Ordering Information

DESCRIPTION	TYPE NO.	SIZE
SURFACE, 60 MIN	017ET-12	12"
SURFACE, 3 HR	016ET-12	12"
FLUSH, 60 MIN	037ET-12	12"
FLUSH, 3 HR	036ET-12	12"
WALL BOX FOR FLUSH	143-K4	---
RESET CONTROL	97ET	---

Single gang boxes for surface timers and reset controls supplied by others.

For flush mount timers, order wall box 143-K4 separately.

For square timers add suffix -SQ.

All units finished in satin aluminum. Consult factory for other availability.